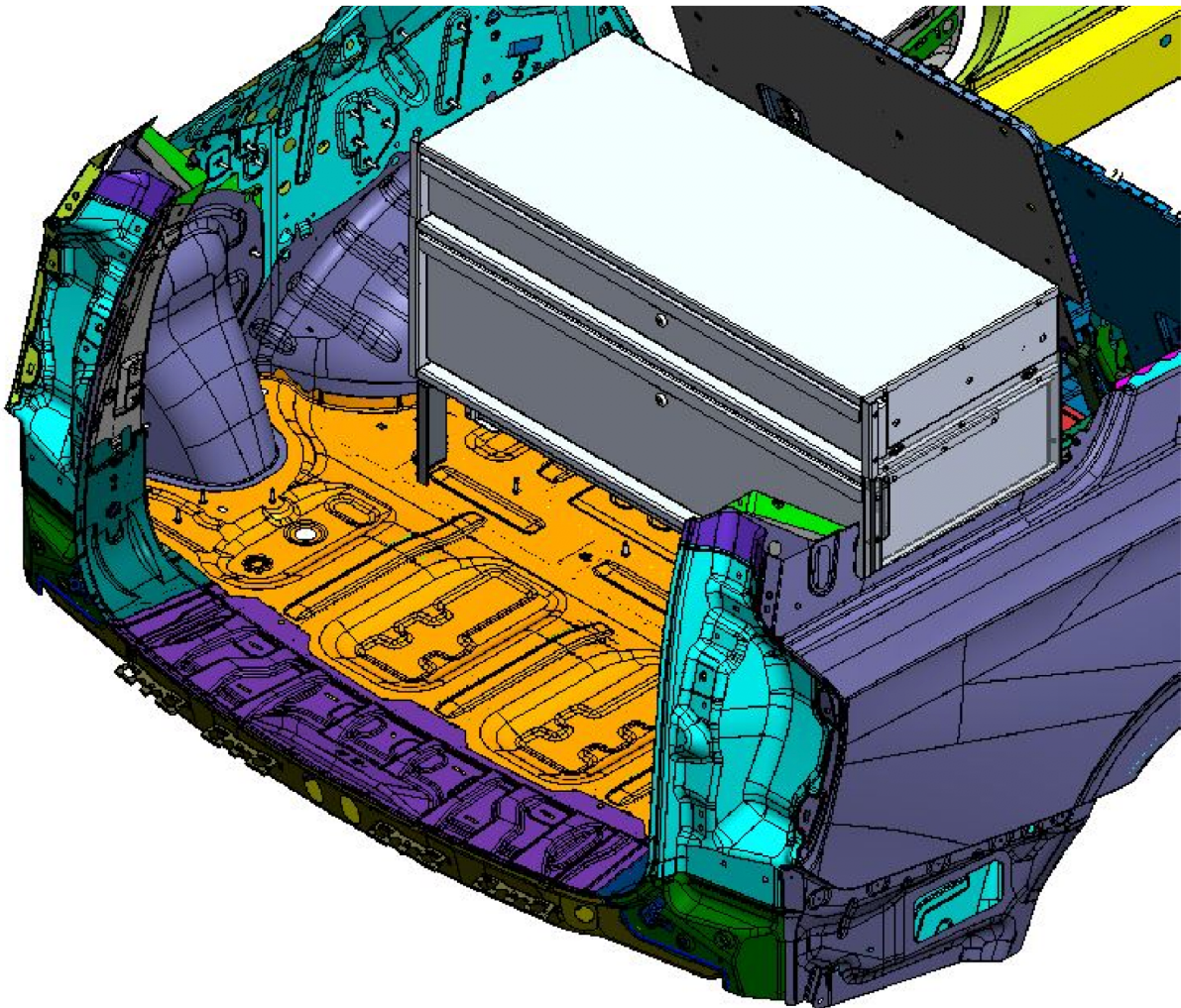




INSTALLATION INSTRUCTIONS

PDU-CTU-8-BR2021

(8"H Pursuit Series Brackets for 2021+ Chevy Tahoe)

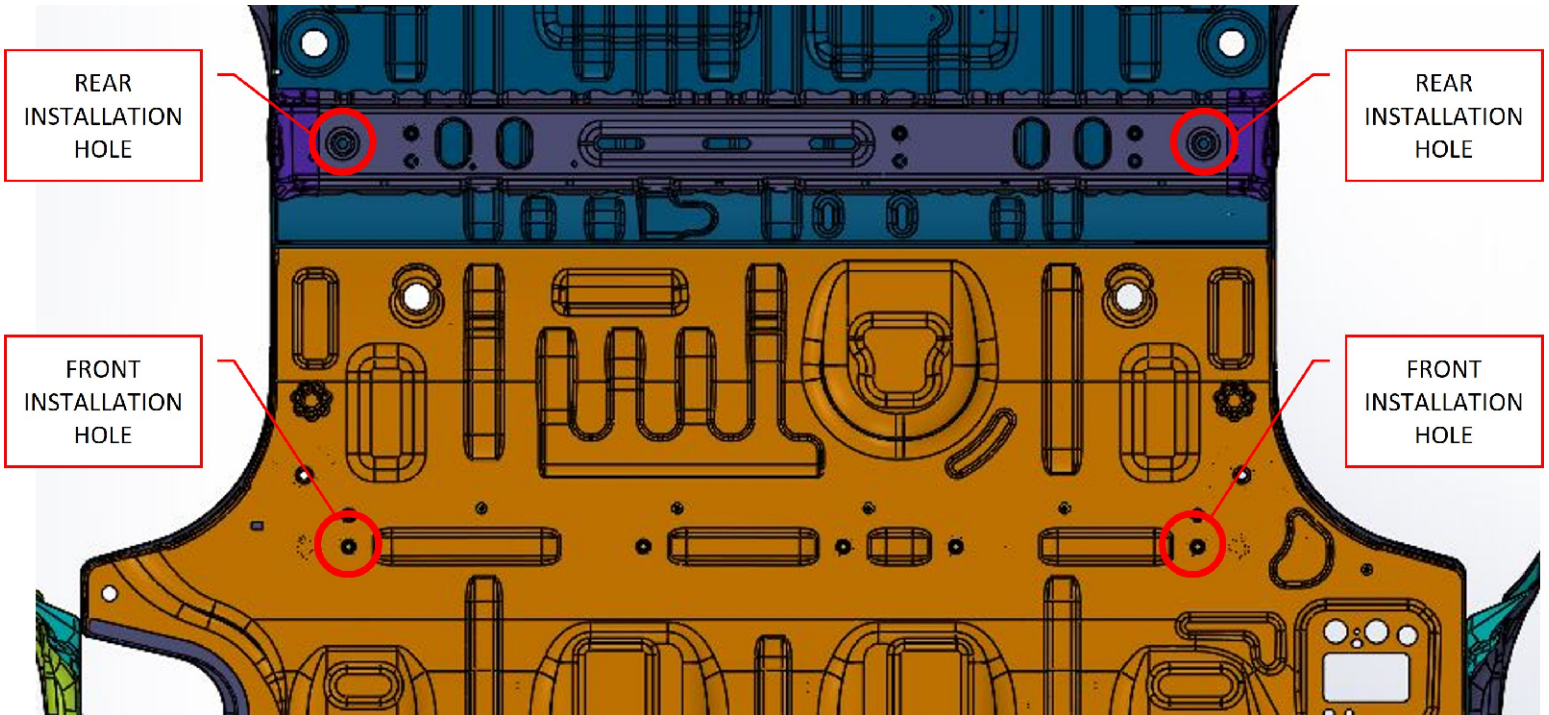


PDU-CTU-8-BR2021 INSTALL INSTRUCTIONS

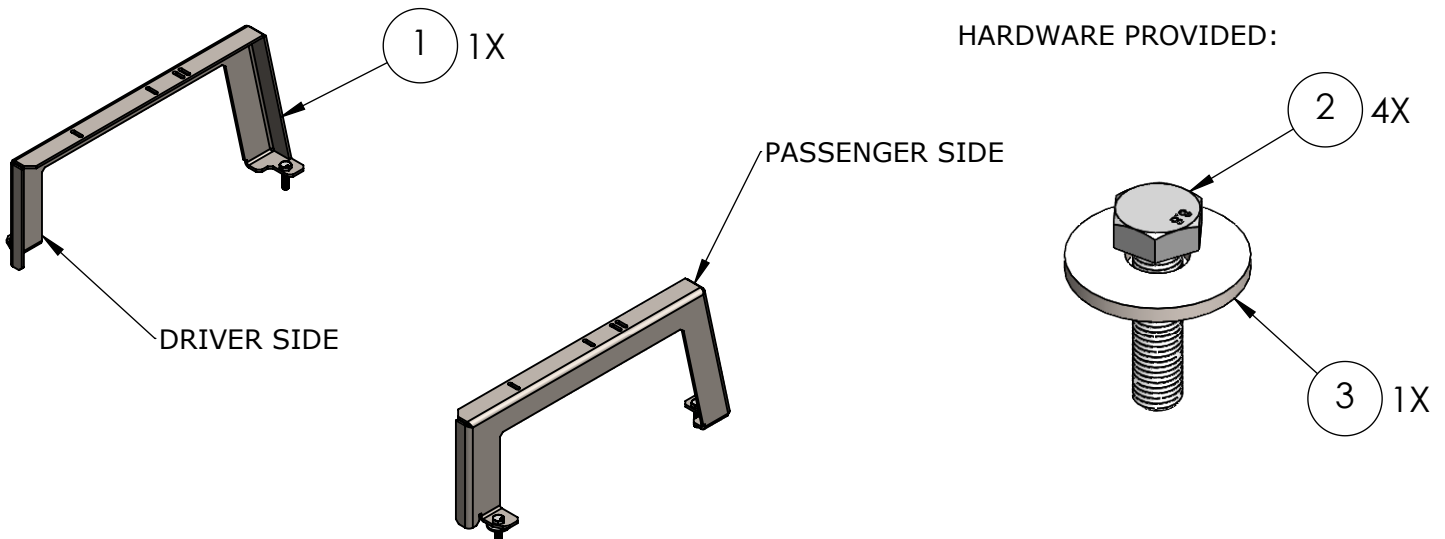
FOR 5TH GENERATION (2021 - CURRENT) CHEVROLET TAHOE

STEP 1:
FLIP UP THE 2ND ROW SEATS FOR MORE ROOM.

MAKE A HOLE ON THE RUBBER MAT FLOOR COVERING ON TOP OF THE INSTALLATION HOLES. MAKE SURE THE BRACKETS ARE FULLY SEATED ON THE SHEET METAL OF THE VEHICLE TO BE PROPERLY INSTALLED.



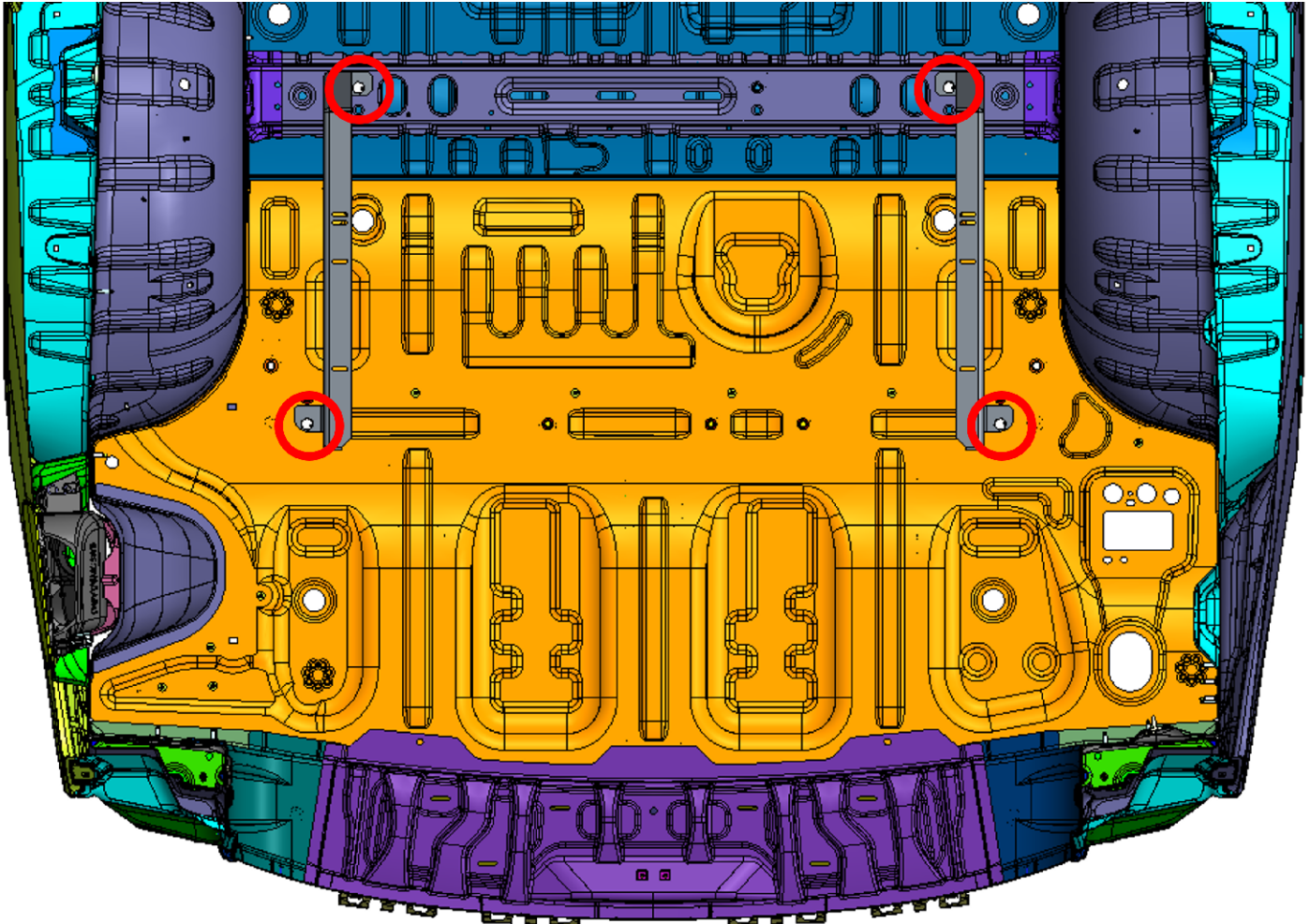
(TOP VIEW OR CARGO SPACE, RUBBER MAT IS NOT SHOWN)



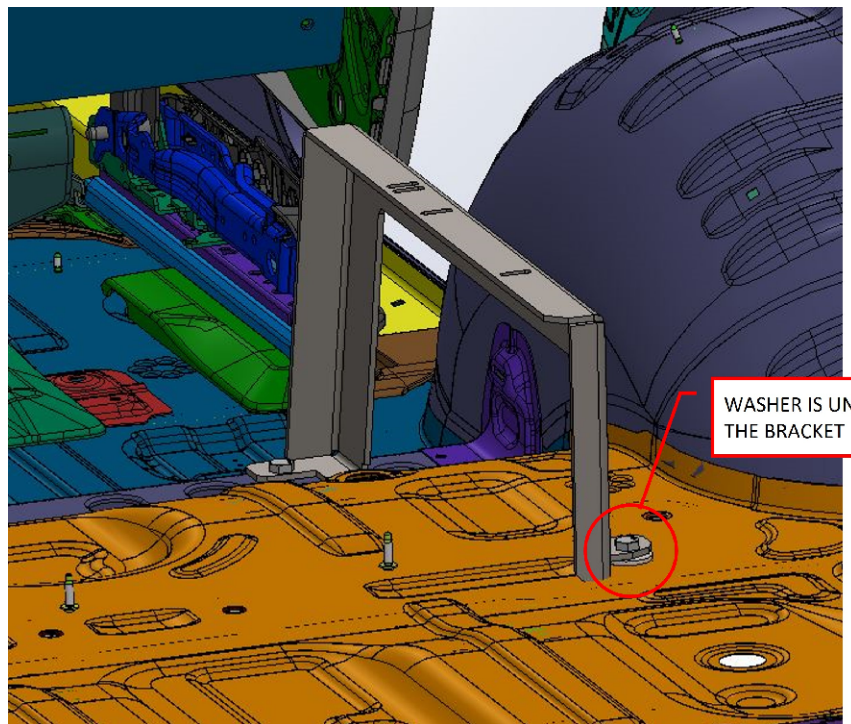
ITEM NO.	PART NUMBER	DESCRIPTION	QTY.
1	4005918	PDU-CTU-8-BR2021 BRACKET SET	1
2	1441064	BOLT, HEX HEAD, M10-1.5MM, 40MM L, CLASS 8.8, ZINC PLATED STEEL	4
3	1229434	WASHER, FENDER, M12, 37MM OD, ZN PLATED STEEL	1

STEP 2:

CLEAR THE MOUNTING HOLES OF ANY DEBRIS. PLACE THE BRACKETS OVER THEIR CORRESPONDING MOUNTING POINTS AND BOLT THEM IN PLACE USING THE HARDWARE PROVIDED ② AND ③.



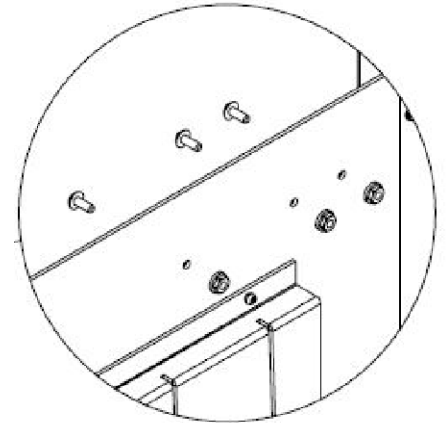
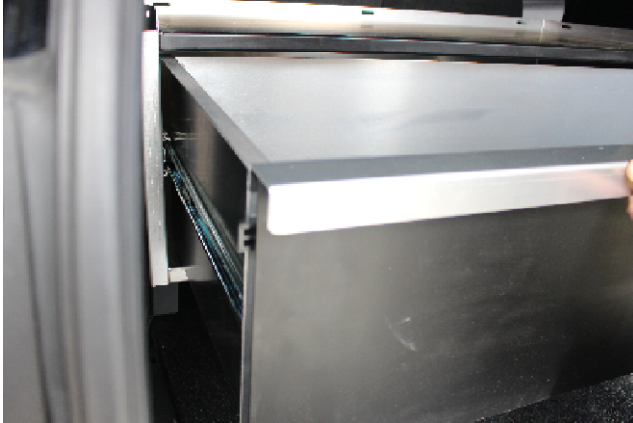
MAKE SURE THAT THE WASHER IS UNDER THE PASSENGER SIDE BRACKET, FRONT INSTALLATION HOLE



STEP 3:

REMOVE THE BOTTOM DRAWER FROM OPS CABINET BY OPENING IT TO FULL EXTENSION AND PUSHING THE PLASTIC TABS IN OPPOSITE DIRECTIONS LOCATED ON SLIDES ON BOTH SIDES OF THE DRAWER WHILE PULLING THE DRAWER STRAIGHT OUT.

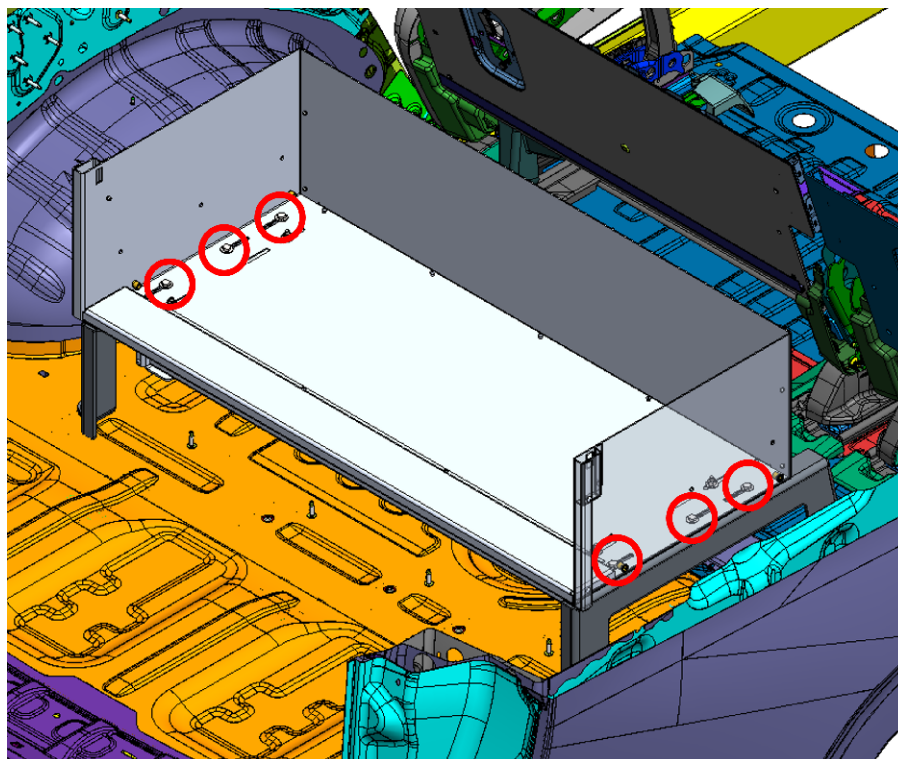
FOR DRAWERS THAT ARE FASTENED BY NUTS, FIRSTLY PULL OUT THE DRAWER THEN SIMPLY UNFASTEN THE NUTS AND REMOVE THE BOLTS ON BOTH SIDES OF THE DRAWER.



(SLIDES THAT USES NUT AND BOLT FASTENERS)

STEP 4:

PLACE THE CABINET ONTO THE BRACKETS AND ALIGN THE SLOTS OF THE CABINET WITH THE SLOTS OF THE BRACKETS UNDERNEATH ACCORDING TO YOUR NEEDS AND FIX THE CABINET USING THE HARDWARE PROVIDED WITH THE CABINET.



STEP 5:

PLACE THE DRAWER BACK INTO THE CABINET BY ALIGNING THE SLIDES ON EACH SIDE AND PUSHING THE DRAWER STRAIGHT IN UNTIL FULLY CLOSED. **DO NOT FORCE.** THE INSTALLATION IS NOW COMPLETE.

