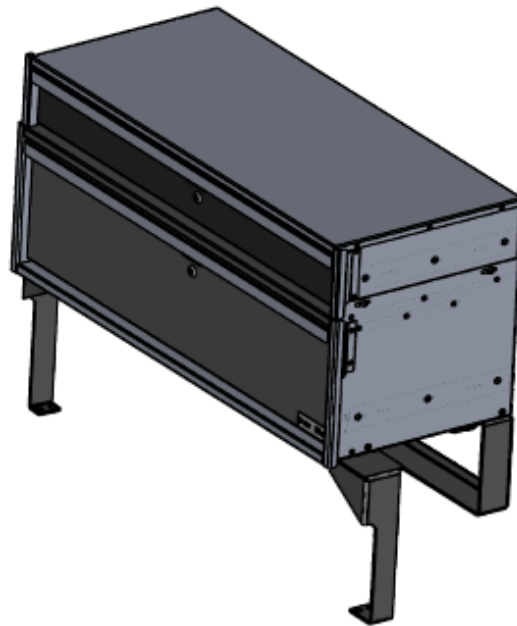




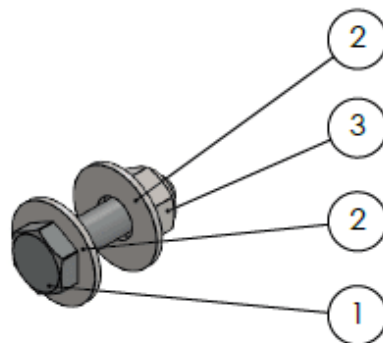
# INSTALLATION INSTRUCTIONS

## PDU-FIU-12-BR2020

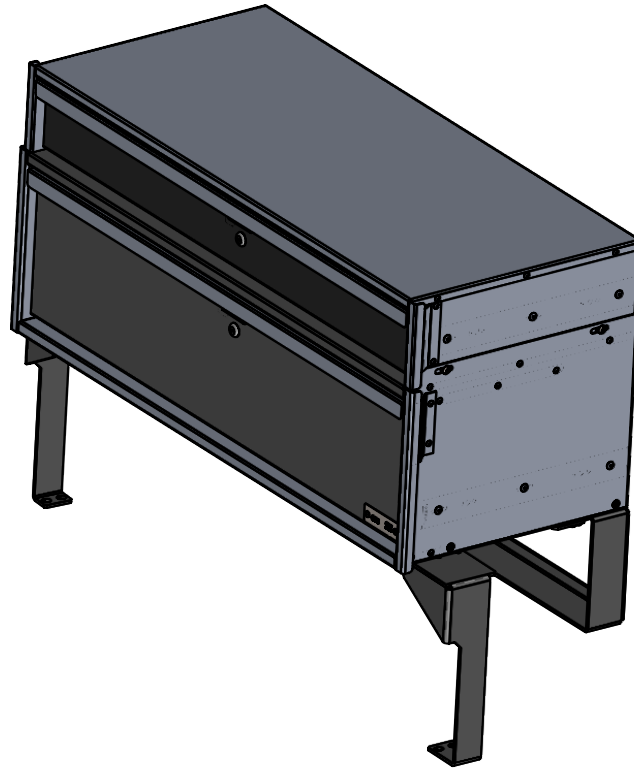


NOTE: THE INSTRUCTIONS ARE SAME FOR BOTH PDU-FIU-8-BR2020 AND PDU-FIU-12-BR2020 BRACKETS.  
PDU-FIU-8-BR2020 BRACKETS ARE ILLUSTRATED IN THIS DOCUMENT.

HARDWARE PROVIDED:

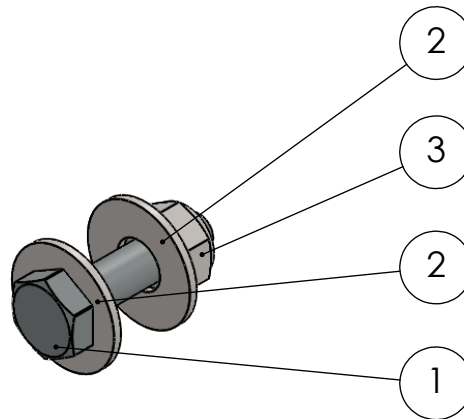


## INSTALL INSTRUCTIONS FOR PDU UNIT USING PDU-FIU-8-BR2020 BRACKETS AND PDU-FIU-12-BR2020 BRACKETS



NOTE: THE INSTRUCTIONS ARE SAME FOR BOTH PDU-FIU-8-BR2020 AND PDU-FIU-12-BR2020 BRACKETS. PDU-FIU-8-BR2020 BRACKETS ARE ILLUSTRATED IN THIS DOCUMENT.

HARDWARE PROVIDED:



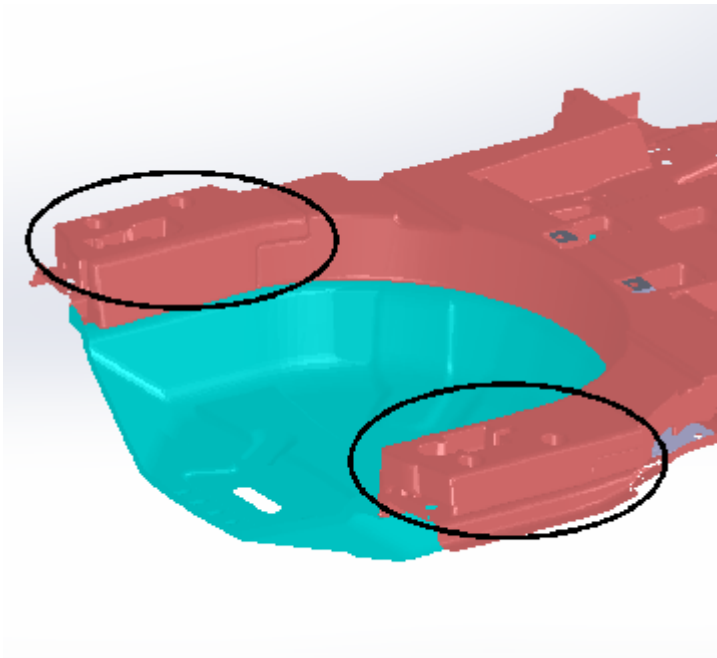
ITEM NO.	PART NUMBER	DESCRIPTION	QTY.
1	1051223	BOLT, HEX HEAD, 1/4"-20, 1" LONG, ZN PLACED, GRADE 5 CAP	4
2	1089578	WASHER, FLAT, 1/4" DIA, 3/4" OD, ZN PLATED STEEL	8
3	1051225	Nut Nylon Lock [0.25]	4



**STEP 1:**  
REMOVE THE FRONT  
SECTION OF OEM TRUNK  
FLOOR

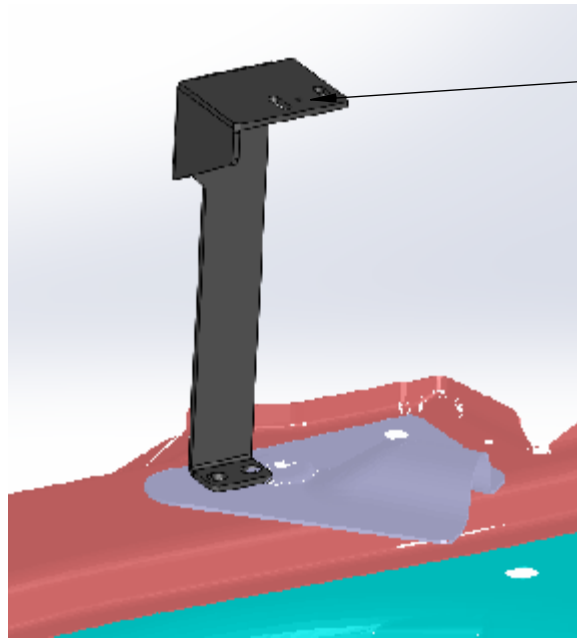
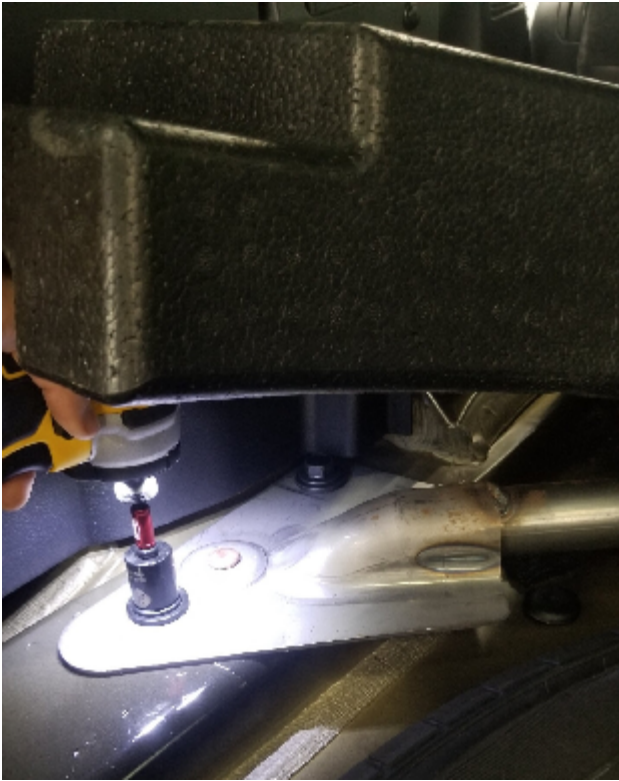
**NOTE:**  
THESE TWO BOLTS WILL  
BE USED FOR  
INSTALLING THE REAR  
LOOP BRACKET.

**STEP 2:**  
REMOVE THE FLOOR SURROUND SECTION AS SHOWN WHICH WILL EXPOSE THE CROSS BRACE  
UNDERNEATH IT.



**NOTE:** THE BACK SECTION OF THE TRUNK FLOOR  
NOT SHOWN IN THIS PICTURE.

**STEP 3:**  
INSTALL THE FRONT LEG BRACKETS ON BOTH SIDES USING THE OEM BOLT.



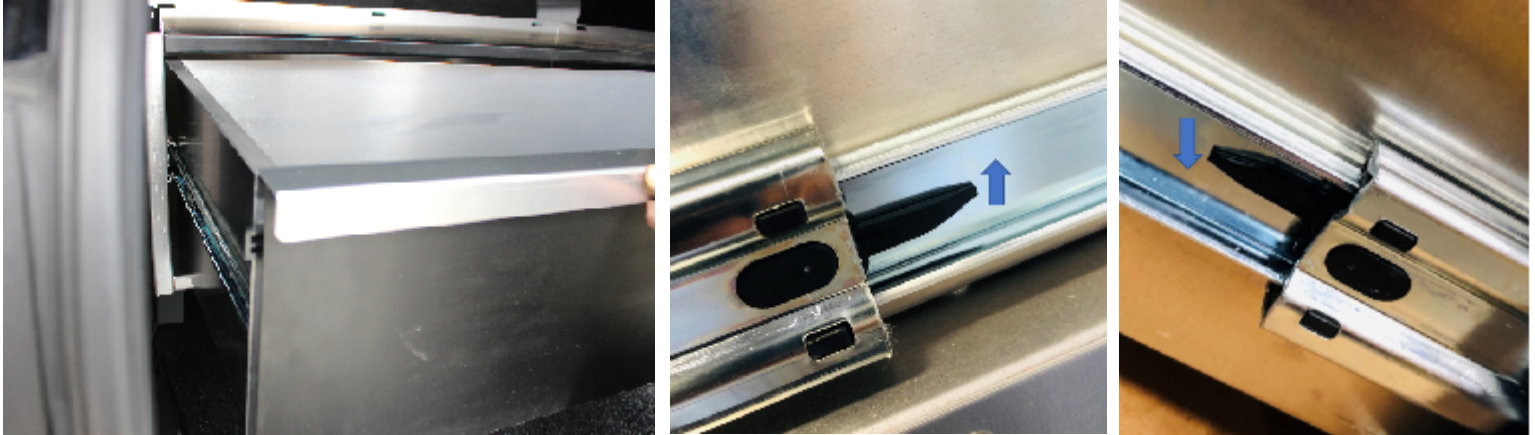
**NOTE:**  
THE SMALL HOLE  
INDICATES  
DRIVER'S SIDE  
BRACKET.

**STEP 4:**  
INSTALL THE REAR LOOP BRACKET AT THE LOCATION AS SHOWN IN STEP 1 USING THE OEM HARDWARE.



**STEP 5:**

REMOVE THE BOTTOM DRAWER OF THE CABINET BY OPENING IT TO FULL EXTENSION AND PUSHING THE PLASTIC TABS IN OPPOSITE DIRECTIONS LOCATED ON SLIDES ON BOTH SIDES OF THE DRAWER WHILE PULLING THE DRAWER STRAIGHT OUT.

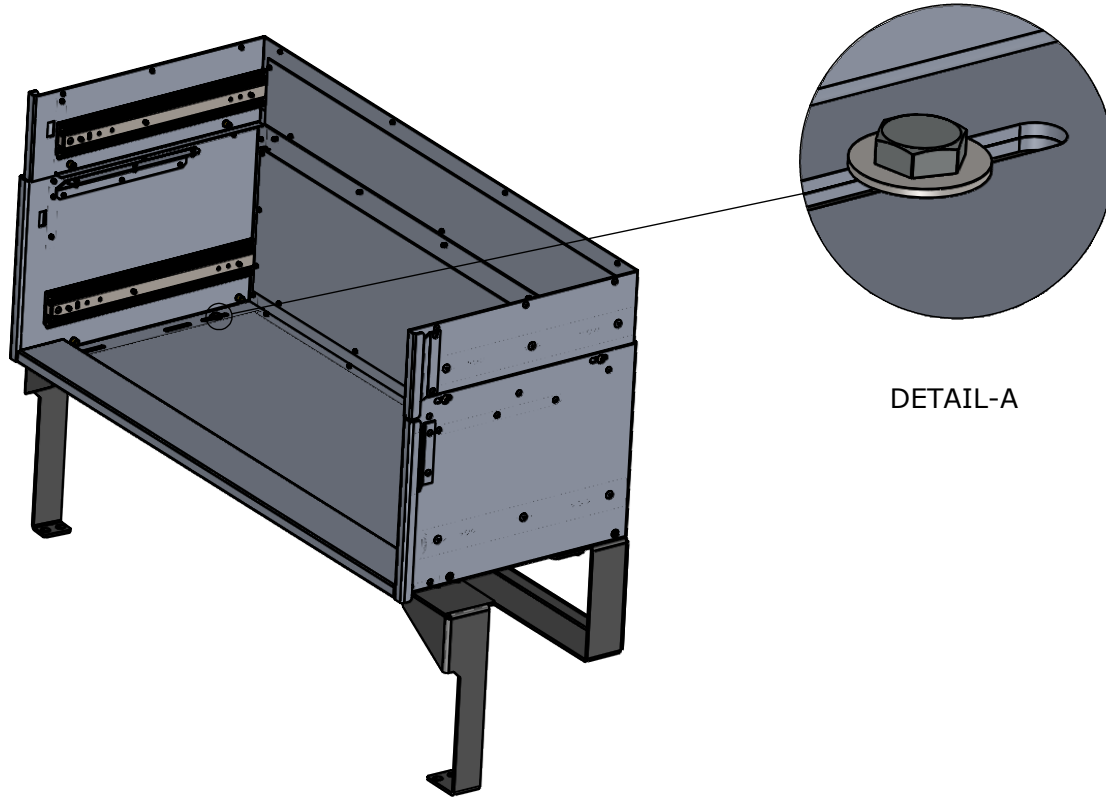
**STEP 6:**

PLACE THE BACK SECTION OF THE TRUNK FLOOR AND MOUNT THE CABINET ONTO THE BRACKETS.



**STEP 7:**

ALIGN THE SLOTS OF THE CABINETS WITH THE SLOTS OF THE BRACKETS AND FIX THE CABINET TO THE BRACKETS USING THE HARDWARE PROVIDED (1), (2) AND (3).



DETAIL-A

**STEP 8:**

PLACE THE DRAWER BACK INTO CABINET BY ALIGNING THE SLIDES ON EACH SIDE AND PUSHING THE DRAWER STRAIGHT IN GENTLY UNTIL FULLY CLOSED. DO NOT FORCE.

THE INSTALLATION IS NOW COMPLETE.