

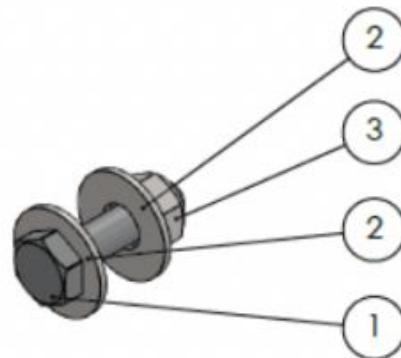


# INSTALLATION INSTRUCTIONS

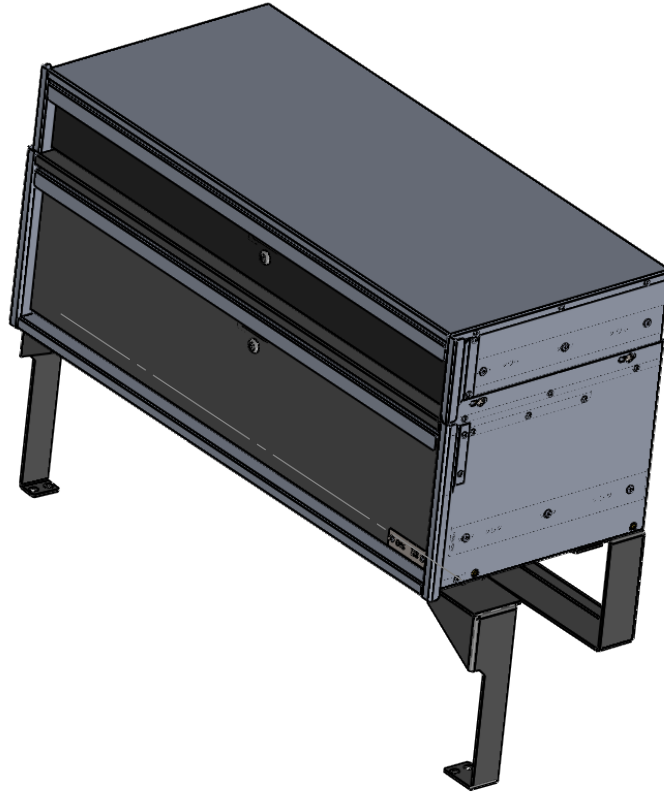
PDU-FIU-8-BR2020



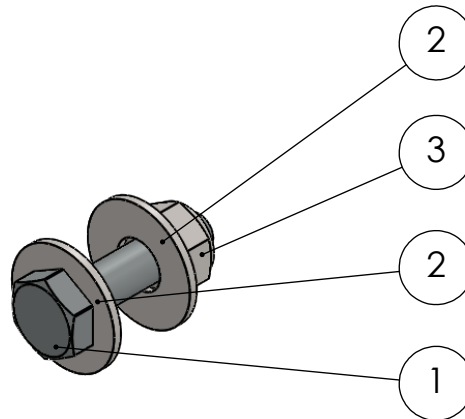
HARDWARE PROVIDED:



## INSTALL INSTRUCTIONS FOR PDU UNIT USING PDU-FIU-8-BR2020 BRACKETS



HARDWARE PROVIDED:



ITEM NO.	PART NUMBER	DESCRIPTION	QTY.
1	1051223	BOLT, HEX HEAD, 1/4"-20, 1" LONG, ZN PLACED, GRADE 5 CAP	4
2	1089578	WASHER - 0.25" (0.3125"ID - 0.75" OD)	8
3	1051225	Nut Nylon Lock [0.25]	4

REVISION	DATE
I-1	07/12/2017

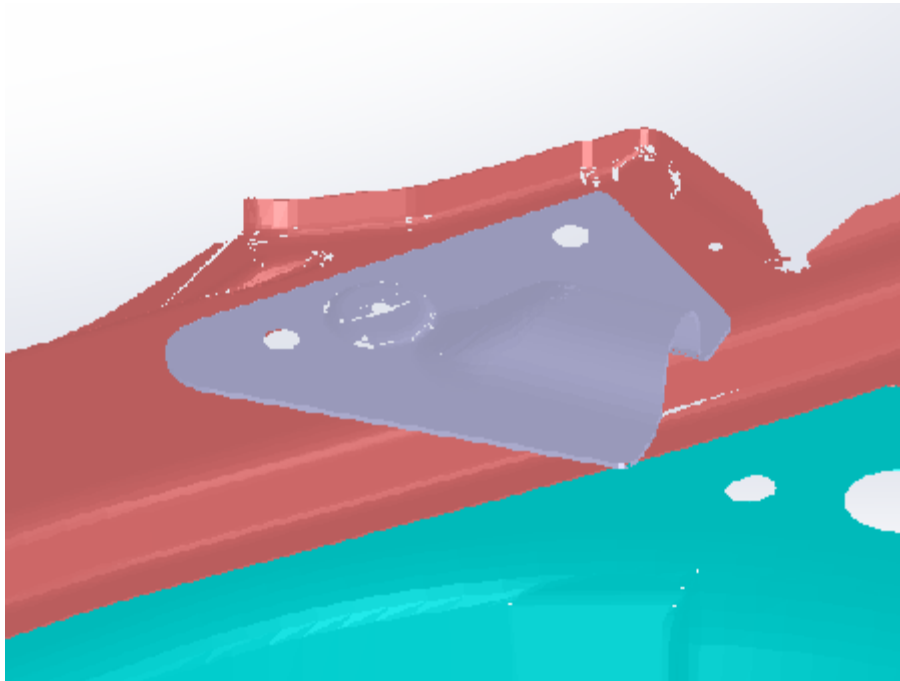
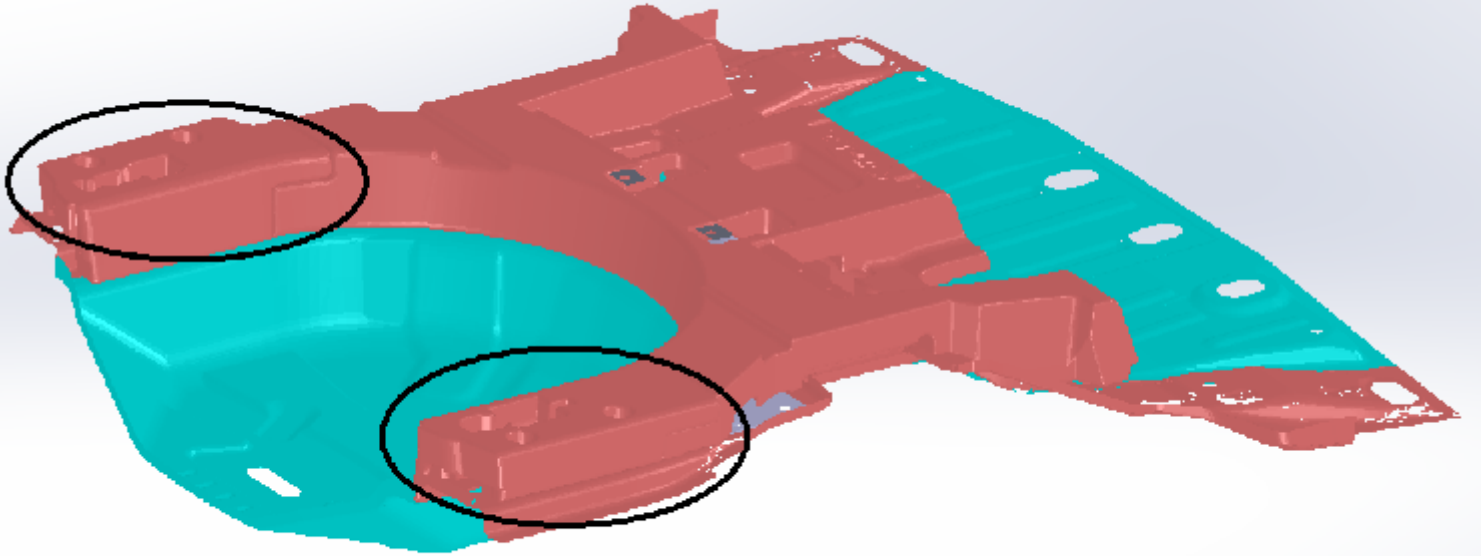


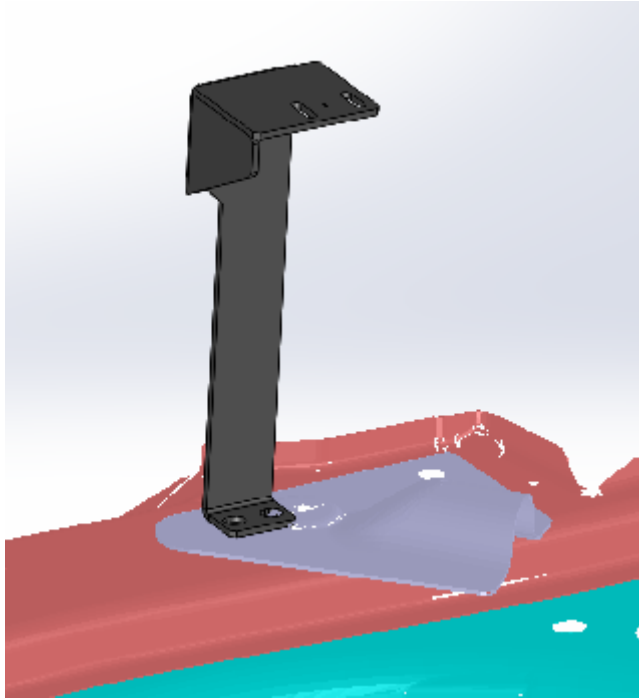
**STEP 1:**  
REMOVE BOTH THE SECTIONS OF OEM TRUNK FLOOR BY REMOVING THE BOLTS AS SHOWN.



**STEP 2:**  
REMOVE THE FLOOR SURROUND SECTION AS SHOWN WHICH WILL EXPOSE THE CROSS BRACE UNDERNEATH IT.

REVISION	DATE
I-1	07/12/2017

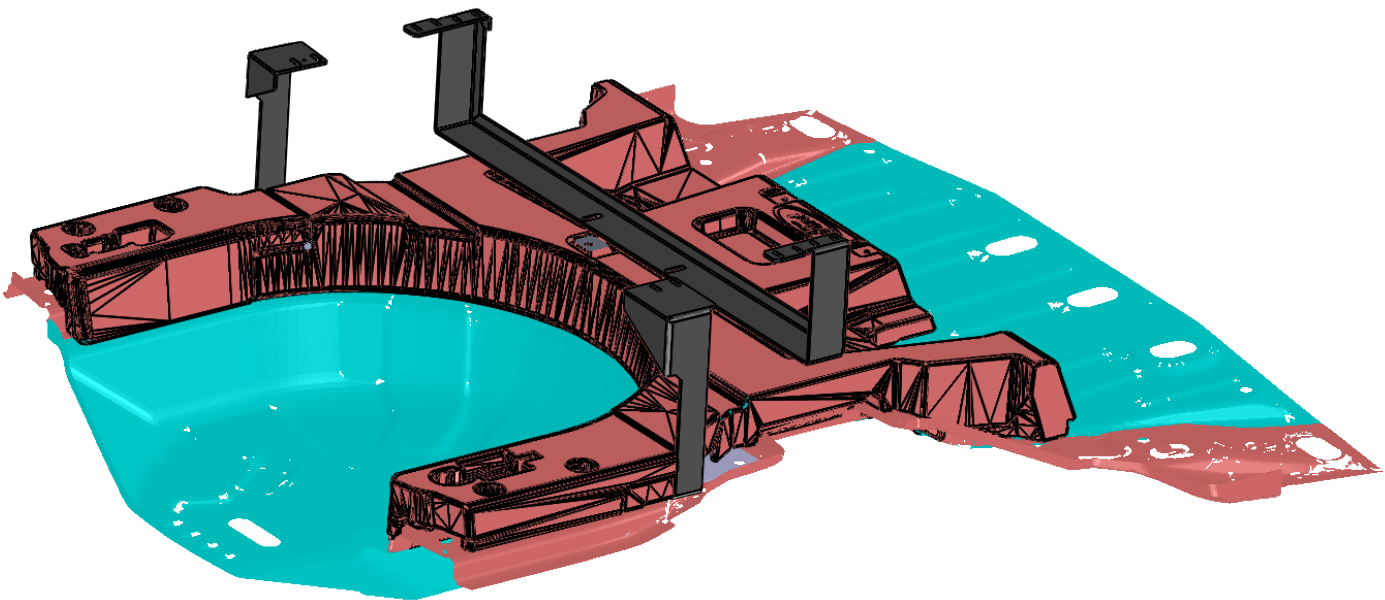




**STEP 3:**  
INSTALL THE FRONT LEG BRACKETS ON BOTH SIDES USING THE OEM BOLT.

**STEP 4:**  
PLACE THE PLASTIC COVERS BACK AND ALSO THE TRUNK FLOOR.

**STEP 5:**  
INSTALL THE REAR LOOP BRACKET AS SHOWN USING THE OEM BOLTS. (TRUNK FLOOR NOT SHOWN).



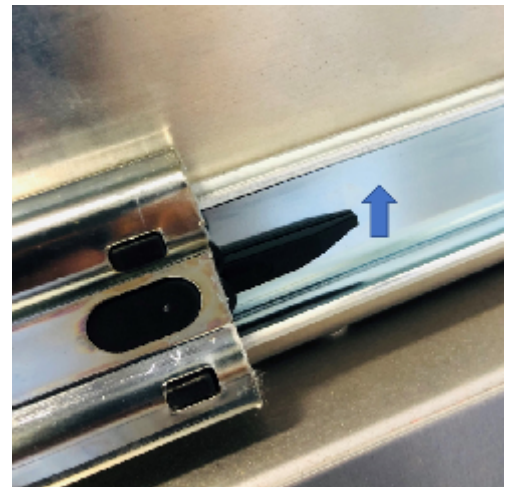
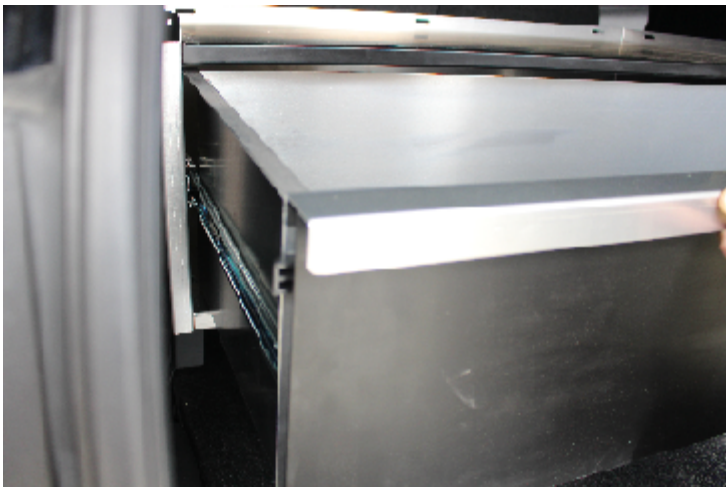
REVISION	DATE
I-1	07/12/2017



ALIGNMENT OF REAR LOOP BRACKET AFTER PLACING BACK THE TRUNK FLOOR

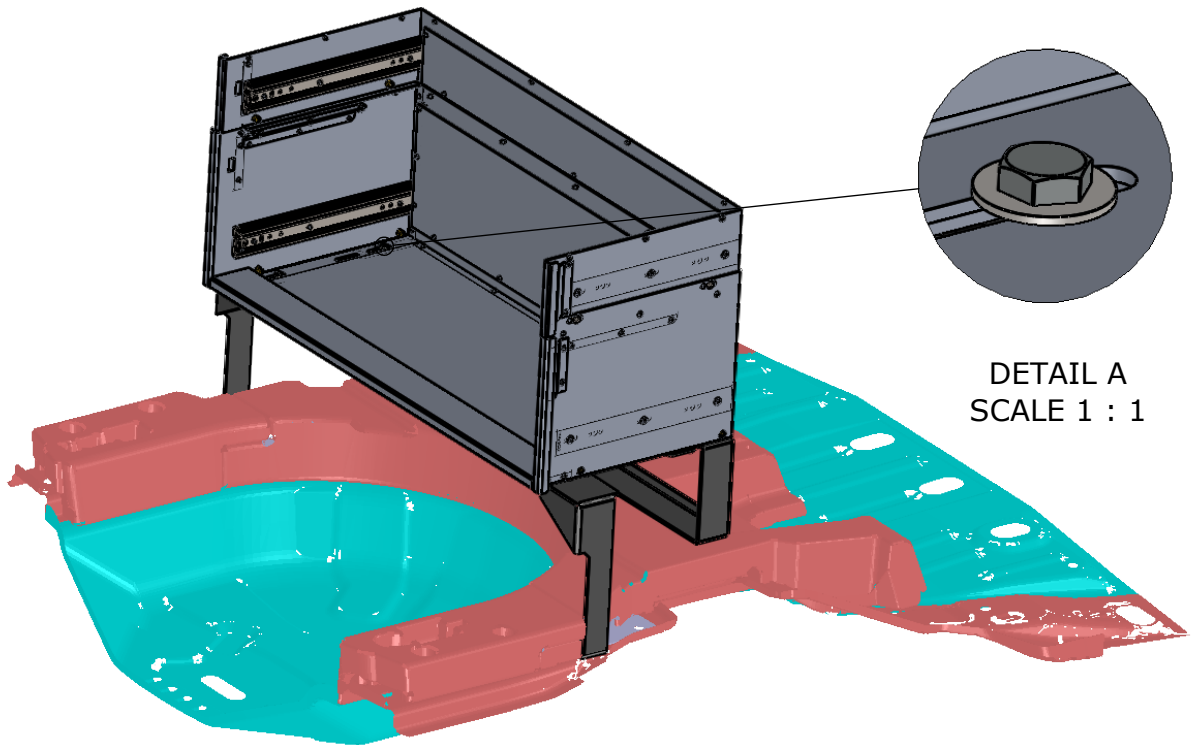
**STEP 6:**

REMOVE THE BOTTOM DRAWER BY OPENING IT TO FULL EXTENSION AND PUSHING THE PLASTIC TABS IN OPPOSITE DIRECTIONS LOCATED ON BOTH SIDES OF THE SLIDE WHILE PULLING THE DRAWER STRAIGHT OUT.



**STEP 7:**

ALIGN THE SLOTS OF THE CABINET WITH THE SLOTS OF THE BRACKETS AND BOLT THE CABINET USING THE HARDWARE PROVIDED (1,2 AND 3).

**STEP 8:**

PLACE THE DRAWER INTO CABINET BY ALIGNING THE SLIDES ON EACH SIDE AND PUSHING THE DRAWER STRAIGHT IN UNTIL FULLY CLOSED. THE INSTALLATION IS NOW COMPLETE.

