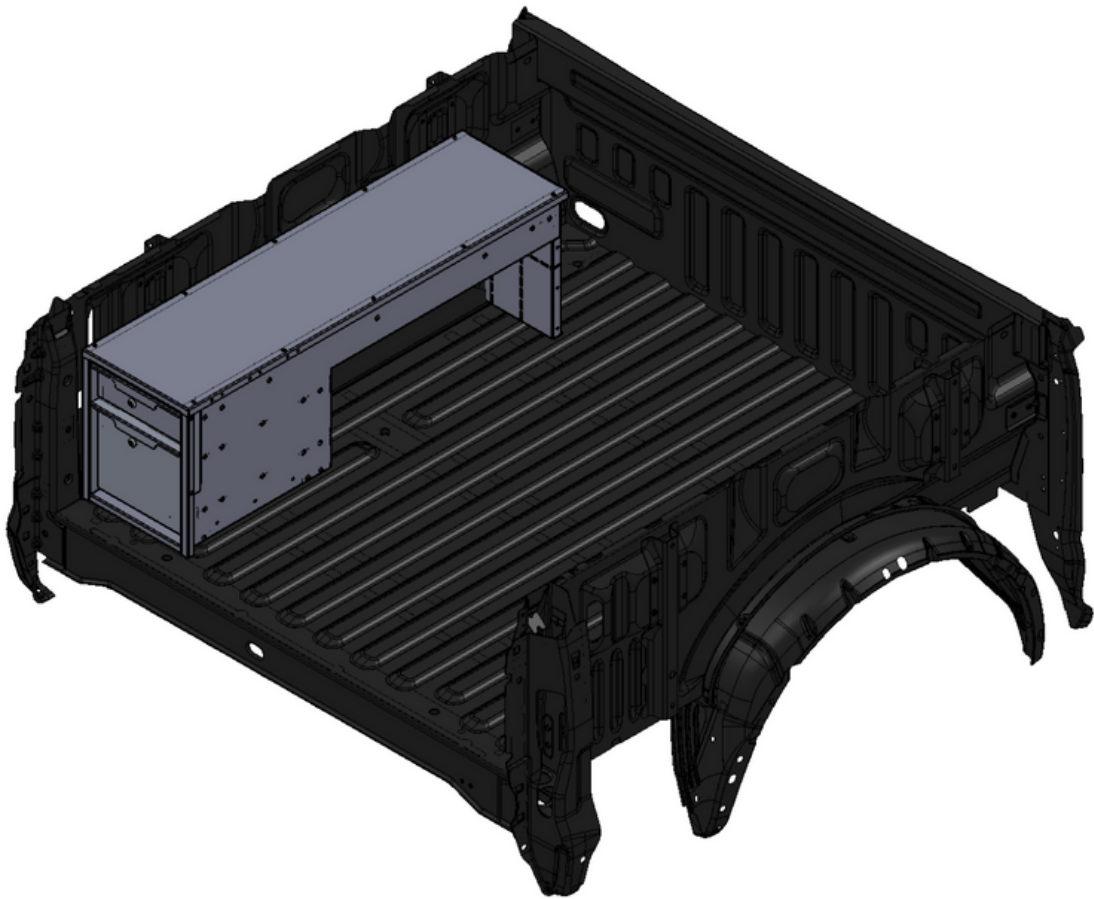
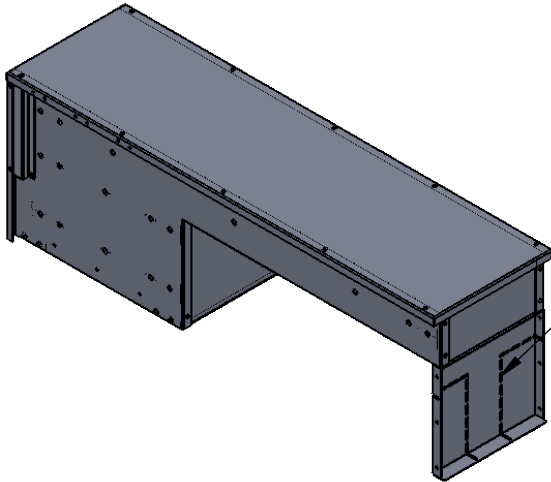




INSTALLATION INSTRUCTIONS

Sidekick Unit



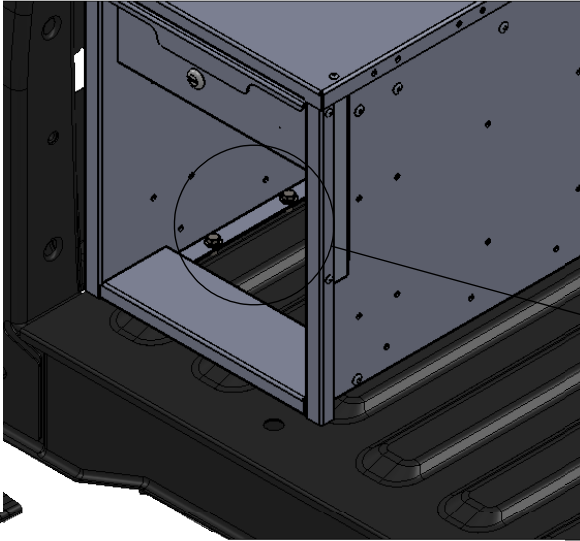


CUT AWAY SECTIONS

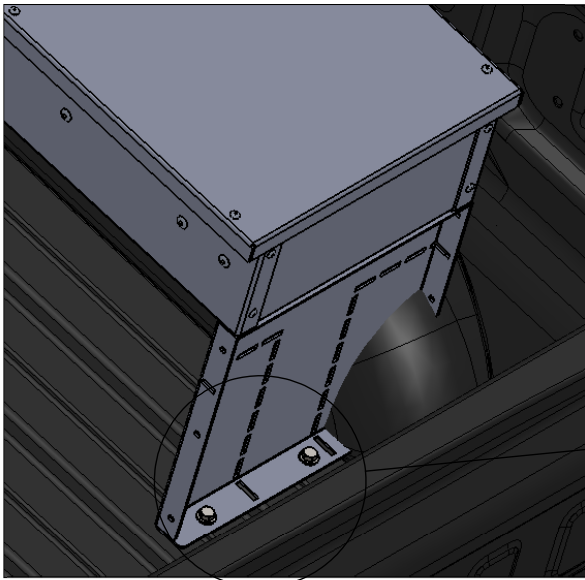
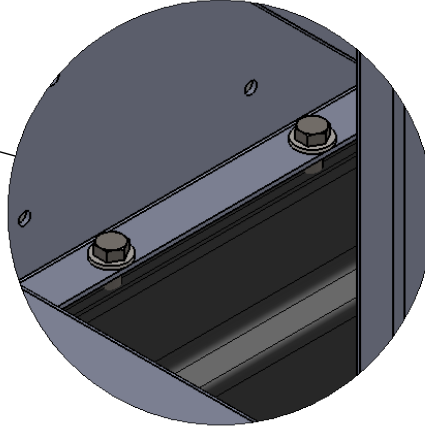
STEP 1:
PLACE UNIT IN TRUCK BED AND ALIGN IN POSITION.
REMOVE "CUT AWAY" SECTION AS NEEDED



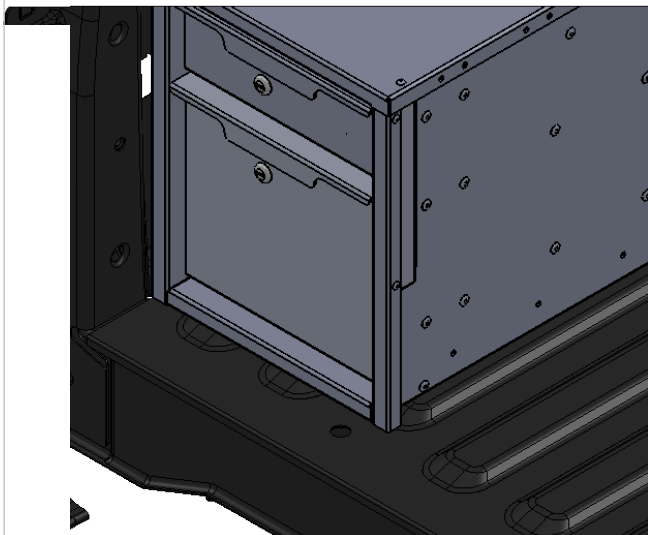
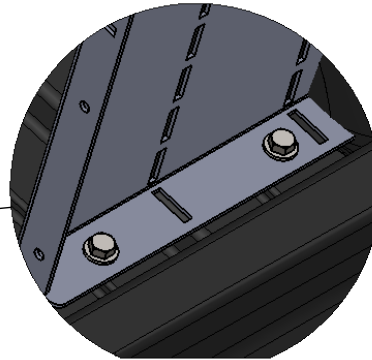
STEP 2:
REMOVE BOTTOM DRAWER USING TABS ON SLIDES



STEP 3:
DRILL THROUGH BOTTOM FLANGE IN CABINET SIDE PANELS AND USE 5/16" BOLTS, WASHERS, AND NYLOC NUTS TO FASTEN TO TRUCK BED



STEP 4:
DRILL THROUGH BOTTOM FLANGE IN REAR SUPPORT AND USE 5/16" BOLTS, WASHERS, AND NYLOC NUTS TO FASTEN TO TRUCK BED



STEP 5:
REINSTALL DRAWERS